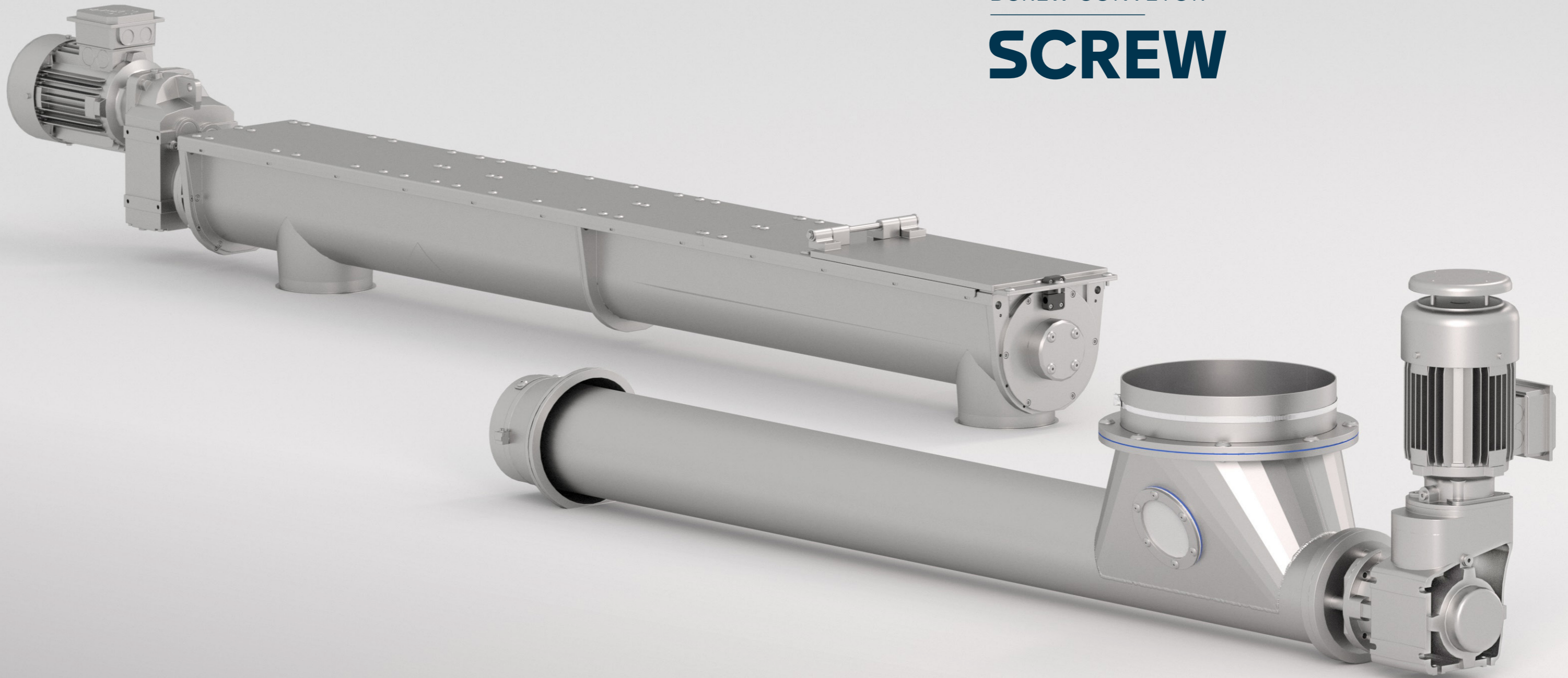




SCREW CONVEYOR

# SCREW



SWISCA AG  
Wührestrasse 14  
9050 Appenzell

+41 71 552 44 00  
info@swisca.com  
www.swisca.com

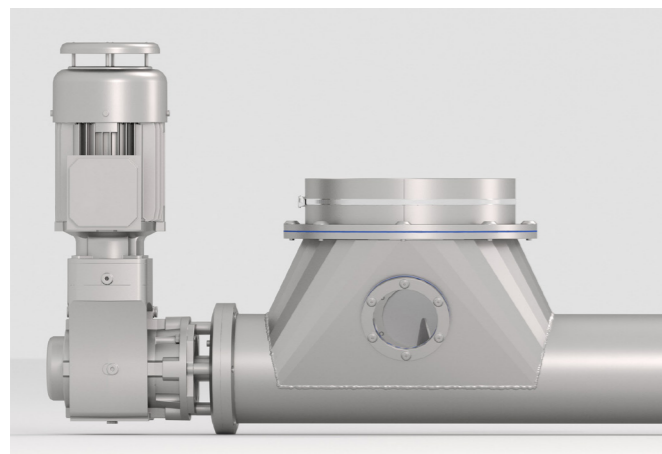
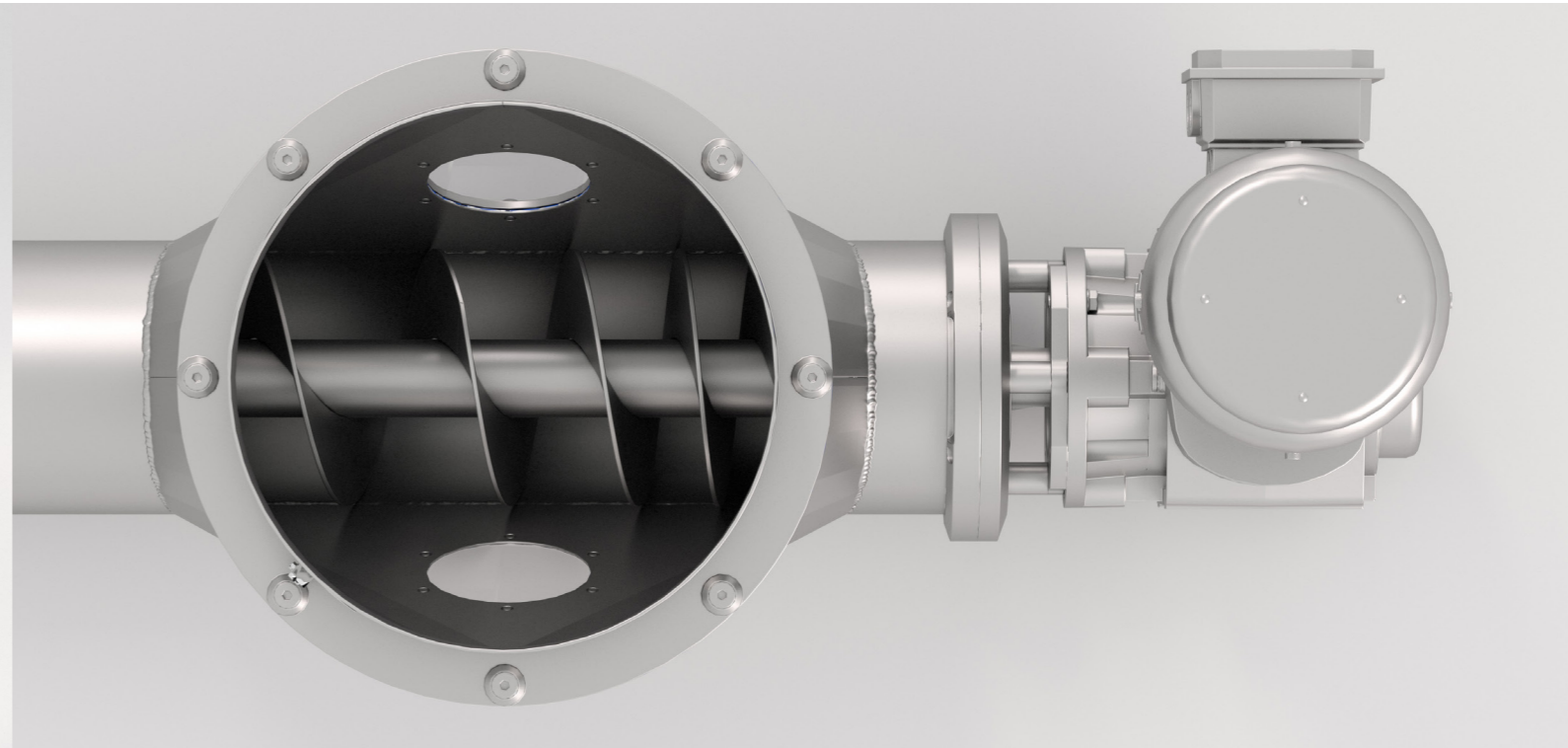
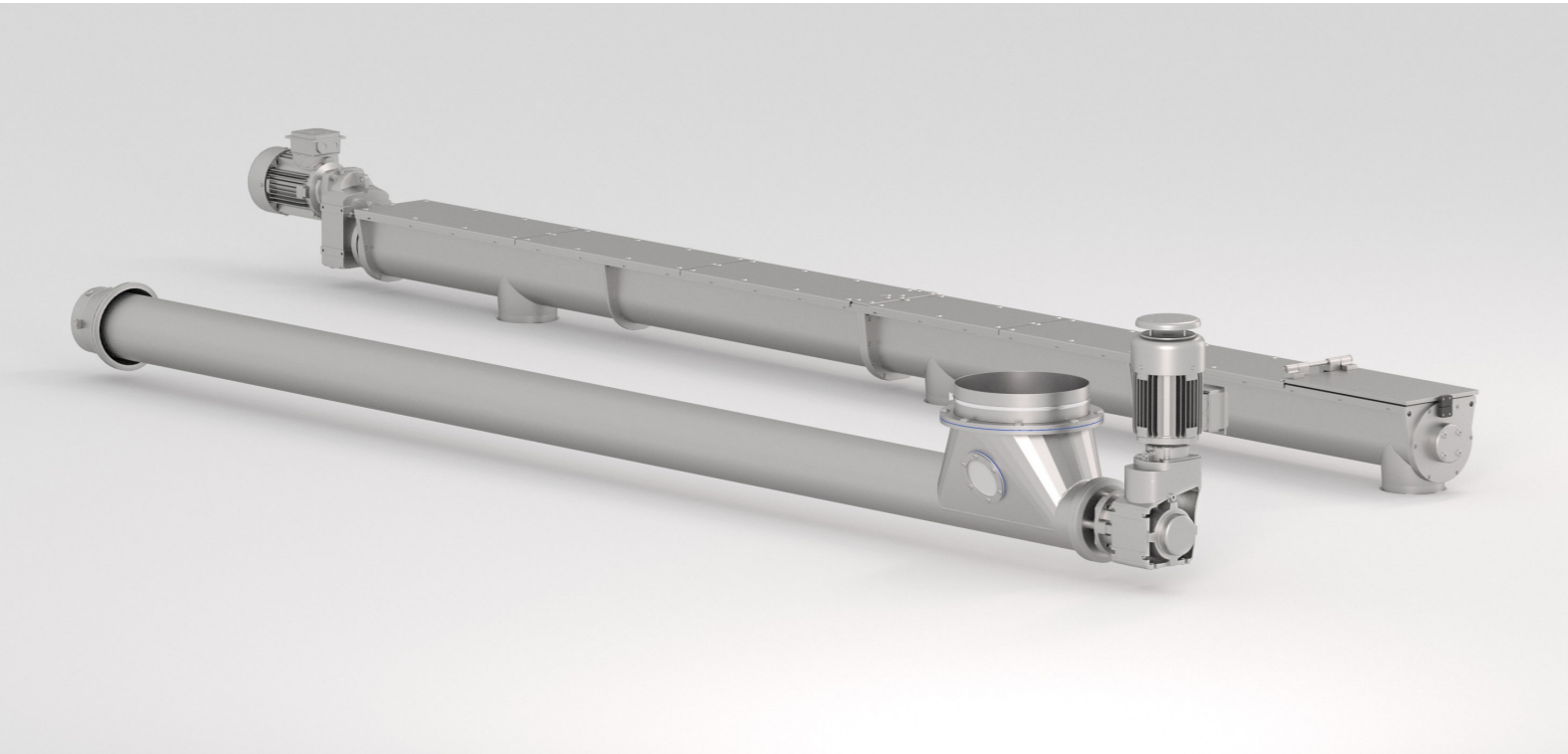


## TOP TIER COMPONENTS

SCREW is a modular system that includes both tubular and trough screw conveyors. Designed for the demanding food industry, SCREW can be used as a dosing, mixing or collecting screw for granular and powdery products. It can operate horizontally and at slight inclines up to 15°. The robust construction and high quality components support dust-free and low-maintenance operation. In addition, they allow standard use in ATEX Zone 22.

### Benefits

- + Robust and reliable
- + Hygienic design
- + Individual configuration
- + Low-height and stepless rotatable for easy installation



To ensure a continuous mass flow, SCREW features a symmetrical inlet with a stepped thread. Together with optional monitoring elements such as a level sensor, this guarantees a high degree of process reliability. The low installation height, combined with stepless rotation using a sliding block, simplifies installation, especially in existing plants.

SCREW features a remote gearbox and is additionally shielded with a double shaft seal for optimal protection. Any leaks can be quickly identified, ensuring a consistently high level of food and process safety.

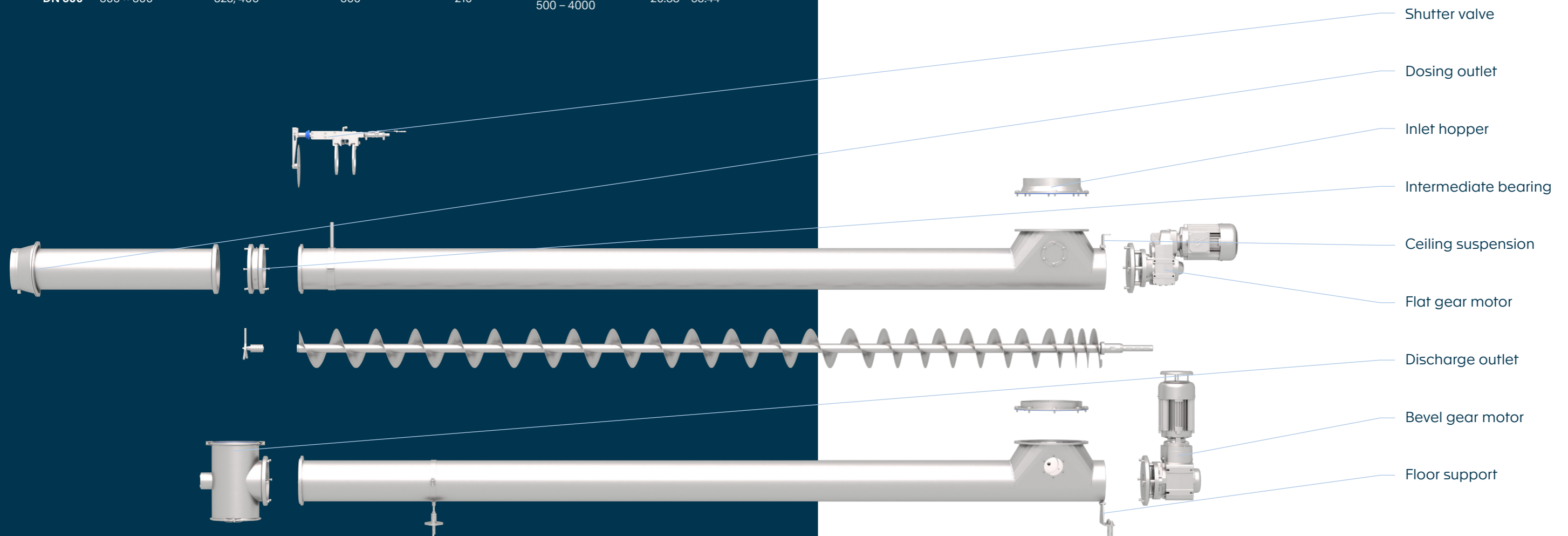
In proven SWISCA fashion, SCREW is made entirely of stainless steel. The screw is fully welded, and detectable blue seals are used. Removable covers and optional hatches provide easy access to the product area of the trough screw conveyor for easy cleaning.

# SCREW

SCREW tubular screw conveyors are available with nominal diameters ranging from 100 to 300 mm. The lengths can be flexibly adapted to meet individual customer requirements. With various extension modules, SCREW can bridge distances of up to 16 meters. For granular products such as wheat, throughput rates of up to 40 tons per hour are possible.

Type	Pipe Diameter D x d mm	Inlet Diameter mm	Saddle outlet diameter mm	Inlet height mm	Standard Extension mm	Volume flow m <sup>3</sup> /h
DN 100	102 x 98	200, 273, 300, 323	100, 120, 150	210	600 – 6000 500 – 4000	1.76 – 4.38
DN 130	140 x 136	200, 273, 300, 323	150	210	600 – 6000 500 – 3000	3.36 – 8.41
DN 160	168 x 164	200, 273, 300, 323	200	210	600 – 6000 500 – 4000	5.71 – 14.28
DN 210	219 x 215	273, 300, 323	250	210	800 – 6000 500 – 4000	10.54 – 26.34
DN 250	254 x 250	273, 300, 323	250	210	800 – 6000 500 – 3000	14.2 – 35.57
DN 300	306 x 300	323, 406	300	210	800 – 6000 500 – 4000	20.88 – 53.44

SCREW's configuration options allow for maximum customization. Different inlets and outlets, supports or hangers and drive options are available.



# SCREW

SCREW trough screw conveyors are available in nominal diameters from 160 to 400 mm. Lengths can be flexibly adapted to individual customer requirements. Various extension modules can be used to cover distances of up to 20 meters. In the ATEX range, throughputs of 45 tons per hour can be achieved with granular products such as wheat. Significantly higher throughputs are possible with peripheral speeds in excess of 1 m/s.

Type	Trough diameter D x d mm	Inlet and outlet diameter mm	Standard lengths and extensions mm	Volume flow m <sup>3</sup> /h (ATEX v=1m/s)
160	168 x 164	Customized	500 – 4000	2 – 5
210	219 x 215	Customized	500 – 4000	4 – 10
250	254 x 250	Customized	500 – 4000	5 – 13
300	306 x 300	Customized	500 – 4000	8 – 20
400	416 x 412	Customized	500 – 5000	18 – 45

SCREW's configuration options allow for maximum customization. Various inlets and outlets, optional hatches, supports or suspensions, and drive options are available. An option with a paddle screw for mixing and homogenizing is also available in the portfolio to meet specific process requirements. An overflow flap with limit switch protects the auger from damage caused by possible material jams.

