

ROLLER MILL

ROMIL



SWISCA AG
Wührestrasse 14
9050 Appenzell

+41 71 552 44 00
info@swisca.com
www.swisca.com

NEXT GENERATION

Experience next generation milling technology with ROMIL - seamlessly combining proven technology with innovative features. Its compact design makes it the ideal roller mill for both existing and new installations. The robust construction and use of stainless materials ensure durability and compliance with the highest sanitation standards.



Benefits

Consistent grinding

- + Feed with radar technology and distribution screws
- + Servo-controlled grinding gap

Easy to use

- + Electronic handwheel
- + Intuitive touch HMI

Food safe

- + Sleek, cleaning-friendly design
- + Stainless materials

Built for the next generation

- + Reliable technology with innovative features
- + Robust design - made in Switzerland



Insulated covers

Manual sampling possibility

Operation via touch-screen and handwheel

Inlet with radar sensor

Large sight glass

Distribution screws with individual RPM

Servo-controlled grinding gap



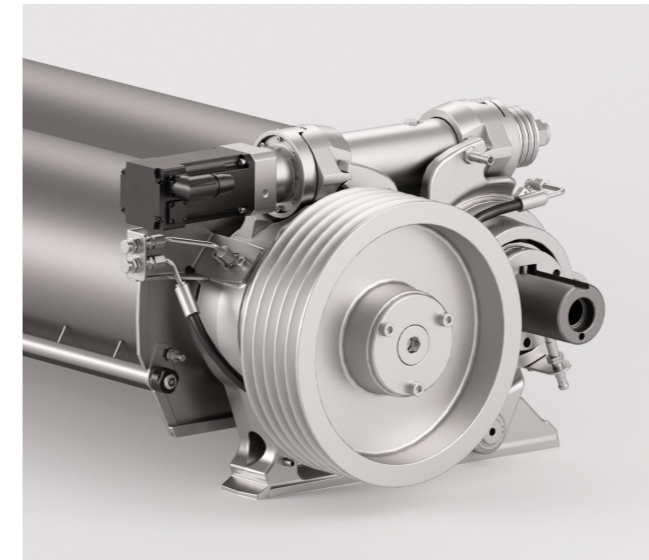
FEEDING & GRINDING

Distribution screws and a feed roll ensure uniform and continuous product feed. Stability in the grinding process is maintained by a servo-controlled grinding gap and a robust roll assembly.



The feed unit comprises two distribution screws and a feed roll. Each element can be individually adjusted, ensuring consistency in mass flow and granulation.

The sleek design of the inlet and product chamber reduces product deposits to a minimum. A large sight glass makes it easy to visually monitor the feeding process. It can be completely removed for cleaning purposes.



Stability and precision of the grinding gap is achieved by a unique servo-controlled grinding gap adjustment. Sustaining a constant gap over time is ensured by the robust roll assembly, effectively minimizing vibration.

Advanced roll scrapers designed for both smooth and corrugated rolls contribute to elevated levels of operational safety and efficiency. Streamlined to the maximum, they are effortless to install and maintain sanitary operating conditions.



Utilizing SWISCA's proprietary radar probe, fill levels are measured without physical contact, ensuring robust and continuous operation - regardless of product processed.

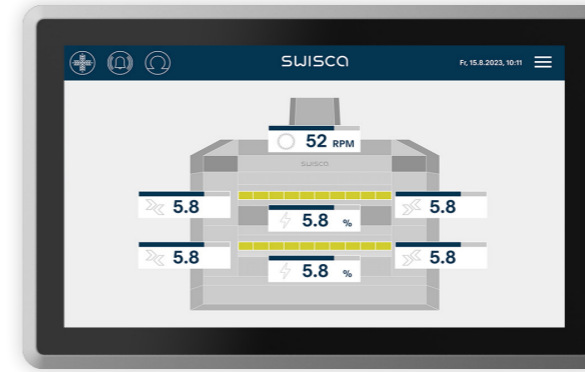
OPERATION & SAFETY

User-friendliness is at the heart of ROMIL. The insulated covers open „tool-free“ to facilitate manual sampling. A completely new approach is taken to the user interface.

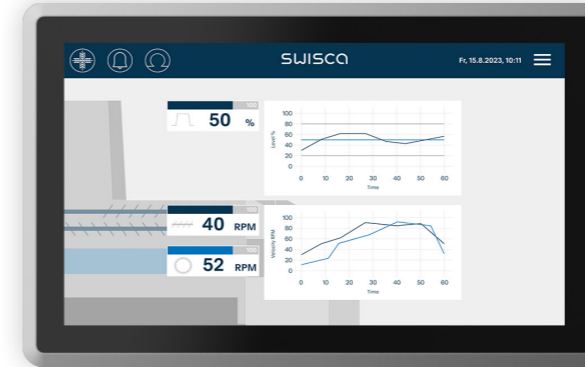
All relevant parameters can be clearly displayed and intuitively set via the built-in 7" touchscreen. Thanks to the integration into the plant control system, it is possible to establish a connection to the respective roller mill with just a few clicks via a web browser.



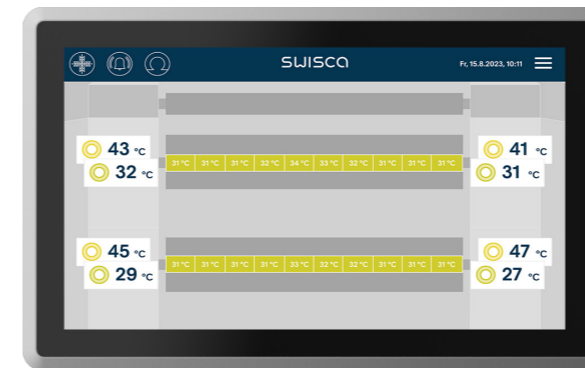
The electronic handwheel replaces the conventional side-by-side readjustment. This highly accurate feature enables one-sided or parallel adjustment of the grinding gap directly on the roller mill. The haptic feedback provides a familiar feel to the operation.



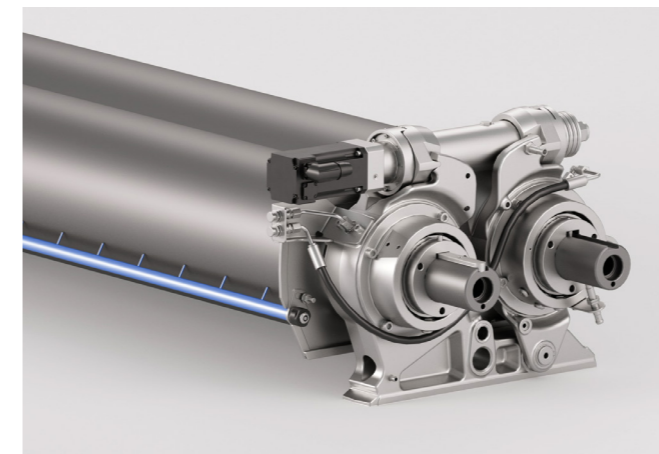
Homescreen: Overview



Feeding: Level and speed monitoring



Temperature monitoring: Bearings and rolls



Consistent monitoring of bearings and rolls is indispensable for maintaining product quality and ensuring operational safety. Both options are available with ROMIL.

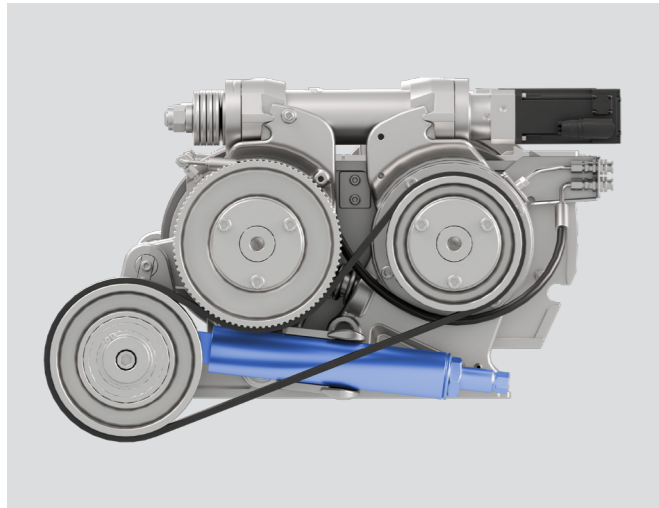
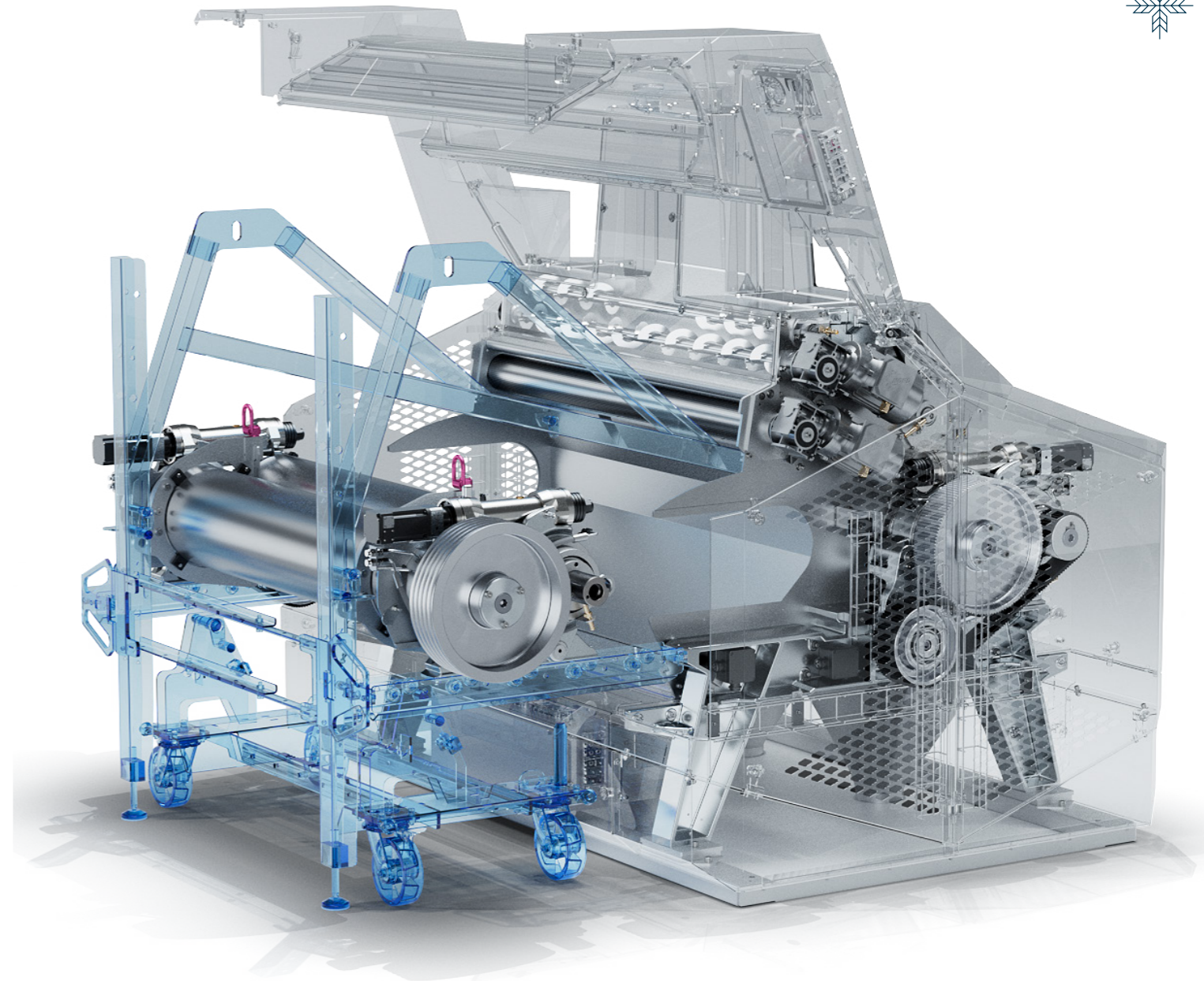
Roll temperature monitoring synergizes a constant power supply with close-proximity measurements for accurate readings.



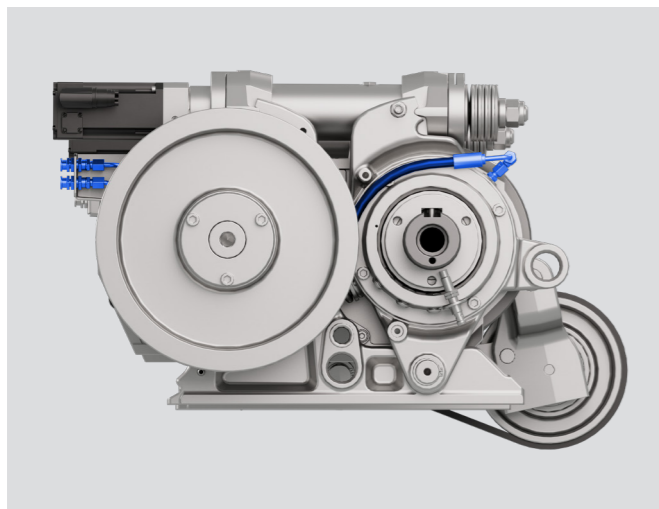
SERVICE & MAINTENANCE

The roll lifting device allows for a safe and easy replacement of the roll assembly, even in tight spaces and on uneven ground. Thanks to the precise automatic grinding gap calibration, restarting the mill passage is quick and effortless.

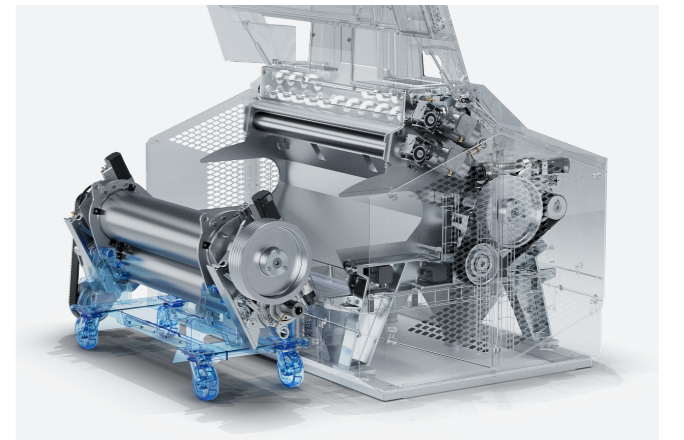
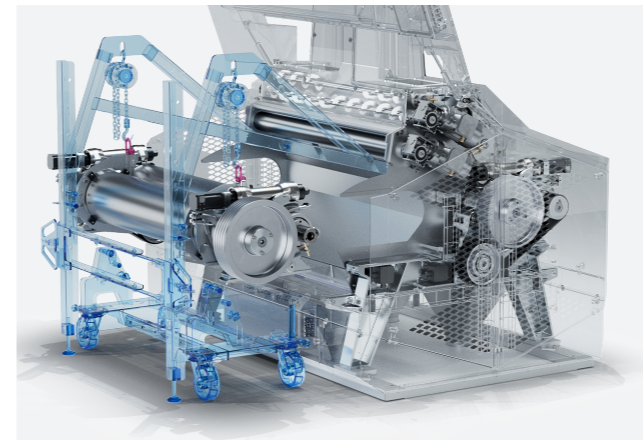
Electrically independent and mechanically separated sides allow maintenance on one passage while the other continues grinding. This option further minimizes service disruptions.



A tensioning aid ensures the correct belt tension over time without the need for remeasurement or readjustment. This guarantees optimal power transmission at all times.

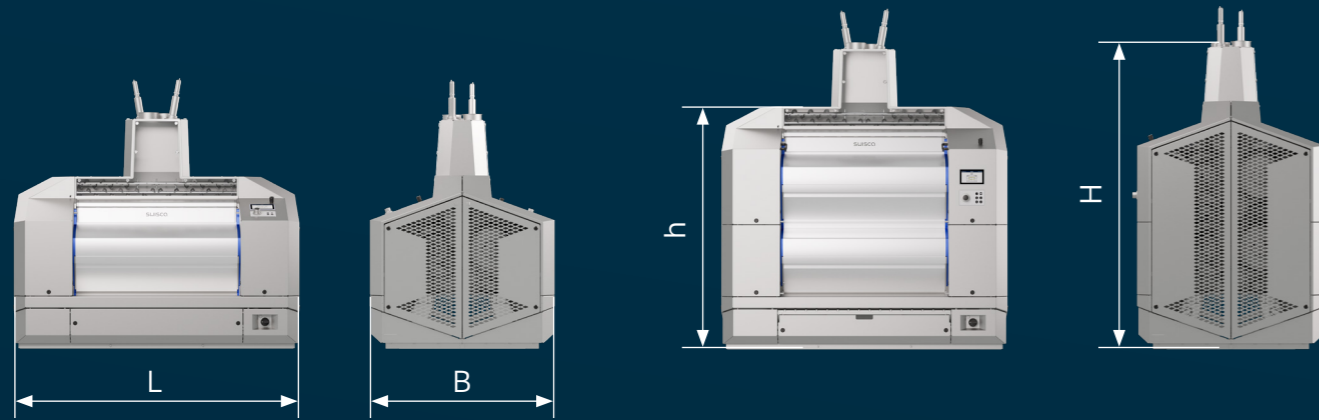


The bearings can be easily lubricated from outside the machine, allowing for maintenance without interrupting production. Integrated into the roll assembly, the lubrication system does not require removal for roll changes.



TECHNICAL DATA

ROMIL is available as a four or eight roll mill in lengths of 800 mm, 1000 mm, 1250 mm and 1500 mm with a roll diameter of 250 mm. Feeding and roll configuration options allow an ideal adaptation to the desired passage. Various options and extras equip ROMIL for safe and efficient mill operation.



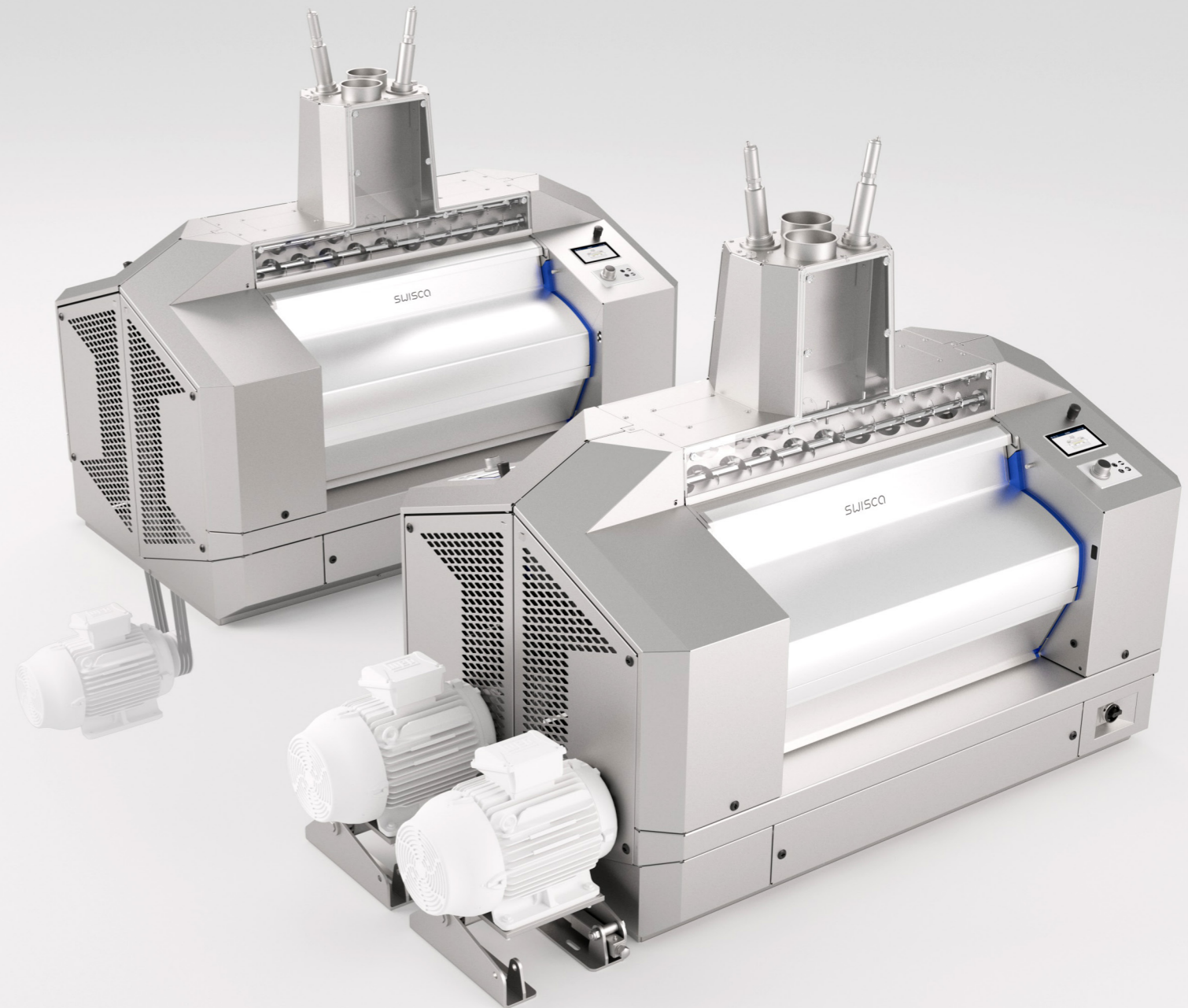
Type	Rolls ø mm	Length L mm	Width W mm	Height h mm	Height H mm	Weight kg
4/800	250	1720	1400	1318	1820	2650
4/1000	250	1920	1400	1318	1820	2900
4/1250	250	2170	1400	1318	1820	3200
4/1500	250	2420	1400	1318	1820	3500
8/1000	250	1920	1400	1858	2360	5150
8/1250	250	2170	1400	1858	2360	6150
8/1500	250	2420	1400	1858	2360	6800

OPTIONS & EXTRAS

- Entirely independent roll passages
- Bearing temperature monitoring
- Roll temperature monitoring
- Direct pick-up (pneumatic system)
- Roll lifting device and specific tools



Motor positioning is variable and can be above or below the roller floor. Besides the classic overdrive, it is also possible to drive each roll individually. This provides the desired flexibility in the speed ratio for specific passages.



ROMIL stands for robustness, sanitary design and energy efficiency and embodies world-class mechanical engineering expertise – developed and produced in Switzerland, for this and the next generation.