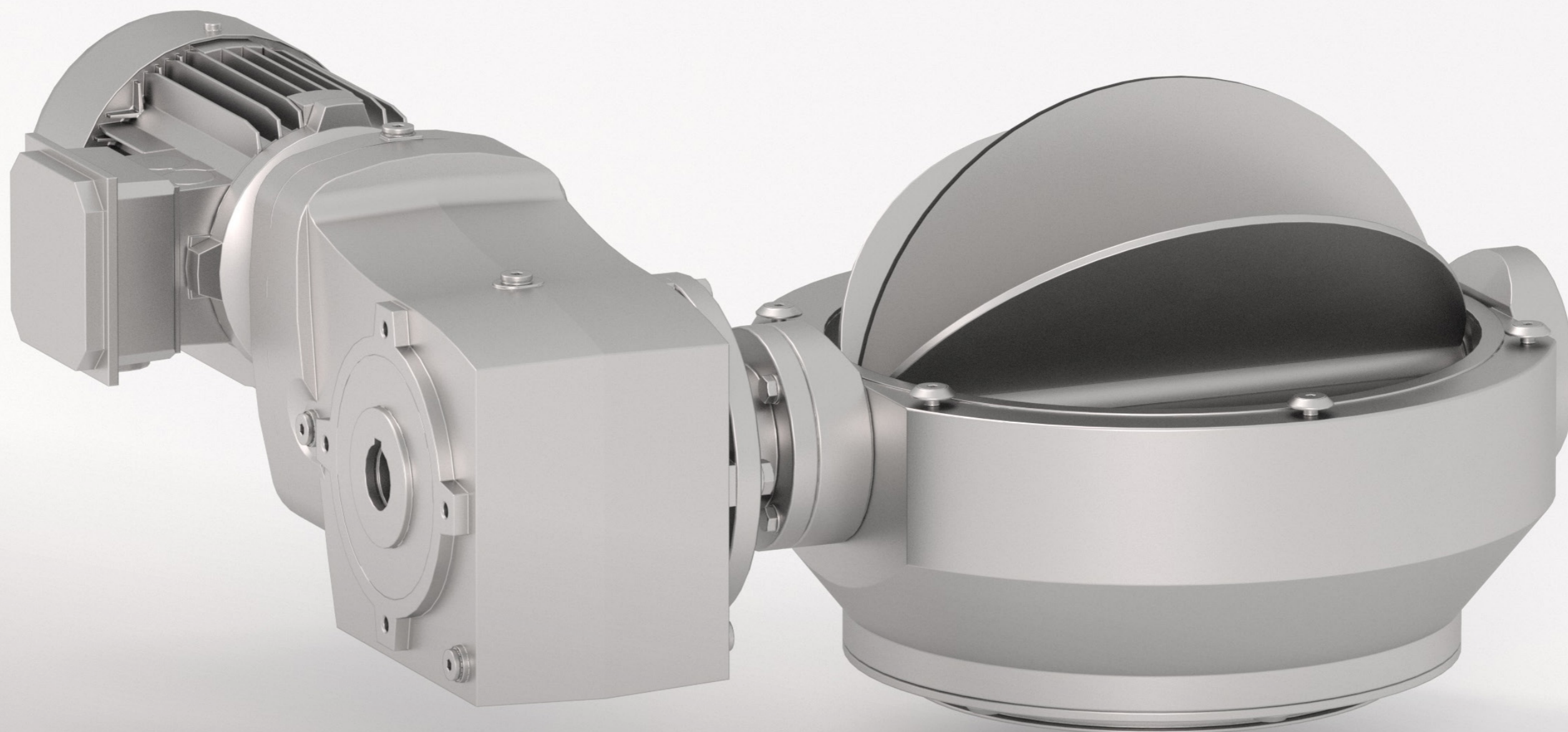




ROTARY FEEDER

WHEEL

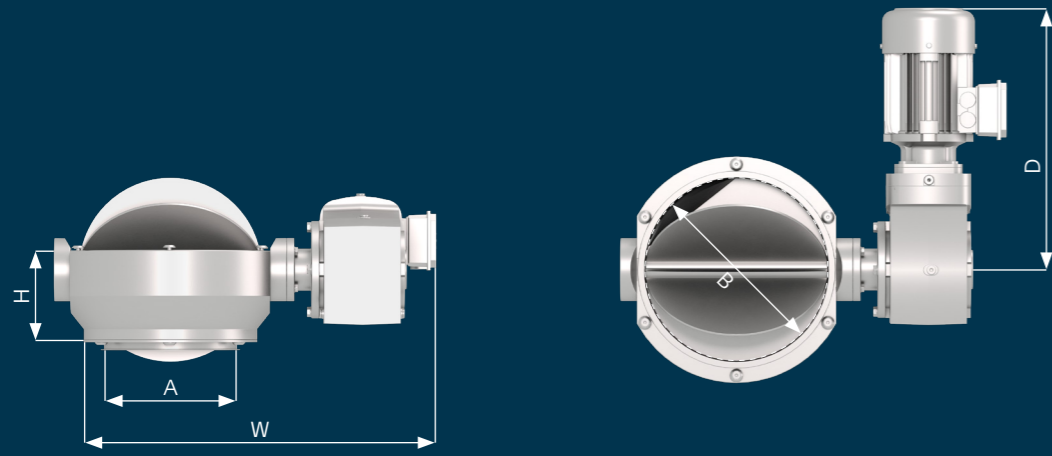


SWISCA AG
Wührestrasse 14
9050 Appenzell

+41 71 552 44 00
info@swisca.com
www.swisca.com

WHEEL

Rotary feeders are used for the discharge and volumetric dosing of bulk materials such as flour or other powdered substances. Their rotating mechanism ensures a continuous and controlled material flow, which is essential for maintaining process stability and meeting high-quality standards in food processing operations. SWISCA's WHEEL stands out with its compact design, corrosion-resistant construction, and active discharge that fully engages the rotary feeder's diameter to efficiently clear the product reservoir.



Type	Height H mm	Width W mm	Depth D mm	Rotary Feeder B mm	Outlet A mm	Volume Output dm ³ /min
250	146	606	423	250	DN200	210
350	187	731	496	350	DN250	580
450	233	817	469	450	DN300	1080



Benefits

- + Active product discharge
- + Hygienic design without dead spaces
- + Low height, optimized for pipe construction

