



MICRO

The micro-differential dosing scale MICRO is a highly accurate measuring instrument for gravimetric weighing of free-flowing to difficult powders. With its precise dosage, excellent sanitation, high flexibility and the large range of services MICRO truly stands alone in the industry.

SWISCO



INGREDIENTS



VITAMINS



ASCORBIC ACID



EGG POWDER



FLAVORINGS



PIGMENTS



SUGAR



PHARMA



HOPS



MIKRO-DIFFERENTIAL DOSING SCALE

MICRO

SINGLE SCREW FEEDER

Type	Hopper Liter			Spiral screw* l/h	Concave screw 0.5d l/h	Concave screw 1.5d l/h	Full leaf screw 0.5d l/h	Full leaf screw 1.5d l/h
	50	100	200					
18	50	100	-	1.5 - 100	1.5 - 82	2.5 - 164	1.5 - 85	4.5 - 252
40	50	100	200	10 - 840	10 - 640	18 - 1150	11 - 660	32 - 1970
70	-	100	200	32 - 2300	32 - 2050	60 - 3650	35 - 2100	70 - 4630

DOUBLE SCREW FEEDER

Type	Hopper Liter			Spiral screw* l/h	Concave screw 0.5d l/h	Concave screw 1.5d l/h	Full leaf screw 0.5d l/h	Full leaf screw 1.5d l/h
	50	100	200					
18	50	100	-	2 - 150	2 - 126	4 - 251	2.5 - 130	6.5 - 388
40	50	100	200	15 - 1000	15 - 985	127 - 1765	16 - 1015	50 - 3033
70	-	100	200	60 - 4800	60 - 4113	110 - 7369	70 - 4289	145 - 9164

* for fragile products

This micro differential dosing scale MICRO is used for the accurate gravimetric dosage of micro components into a continuous product stream. Thanks to innovative servo technology, ascorbic acid, vitamins, starch, dry glue, egg powder, aroma and colorants can be reliably added in a very large capaci-

ty range. The throughput capacity is 0.5 l/h to 9000 l/h. In the batch process, the micro-differential dosing scale weighs a small batch set by the recipe. swisca's micro-differential dosing scales are well accessible and easy to clean. The control unit, with a touch-screen, is extremely reliable and very robust.

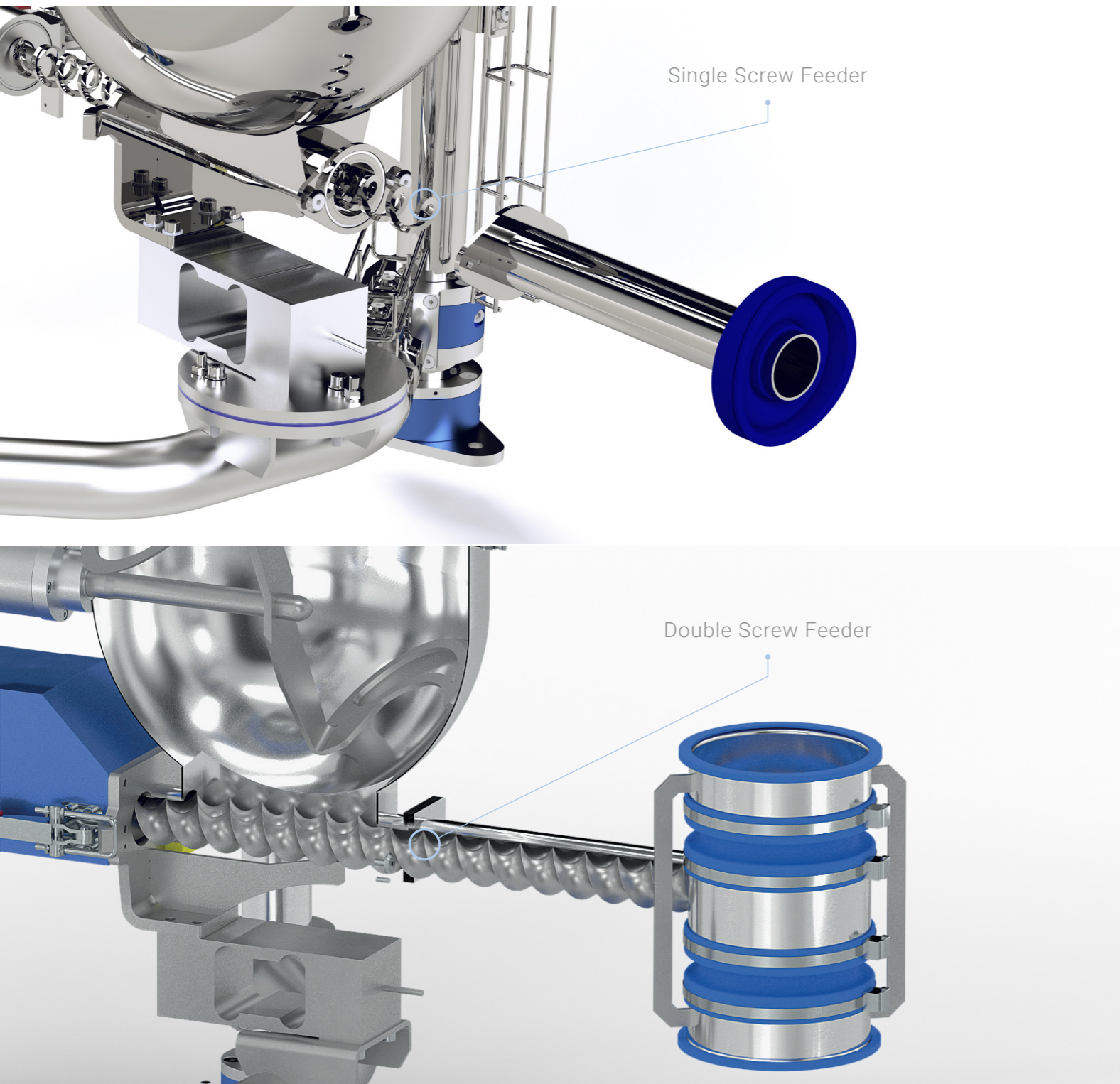


- Energy-efficient servo drives
- Straightforward touch screen
- IOT compatible control
- Good accessibility for cleaning
- High-quality measuring cells
- Metal detectable connections

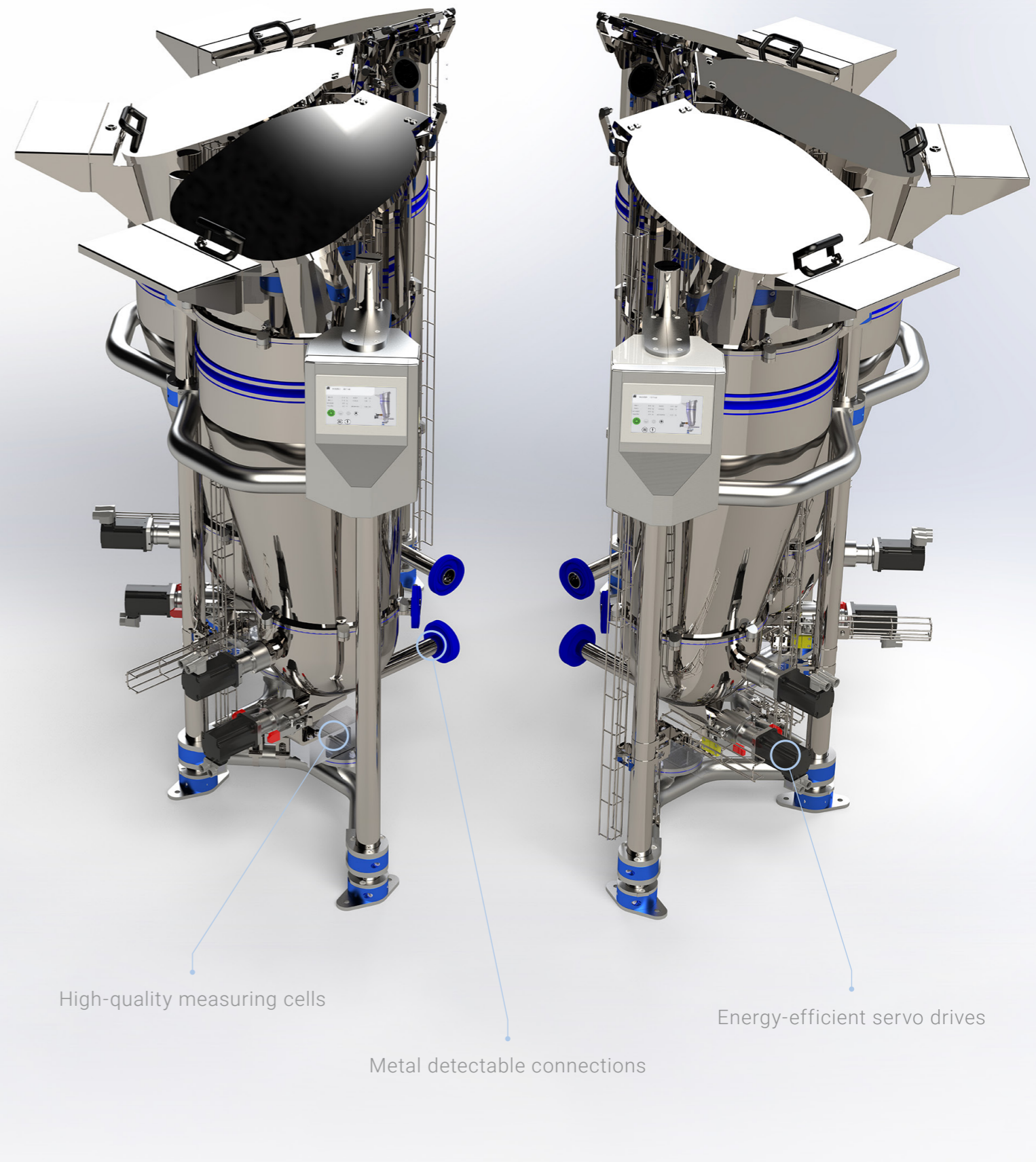
DOSING UNIT

The MICRO portfolio with screw sizes 18, 40 70 can be assembled modularly and flexibly. Whether single screw or twin screw feeders in volumetric and gravimetric design. With this comprehensive range, swisca is able to cover your desi-

red feeding capacities and offer various solutions for your bulk material handling challenges.



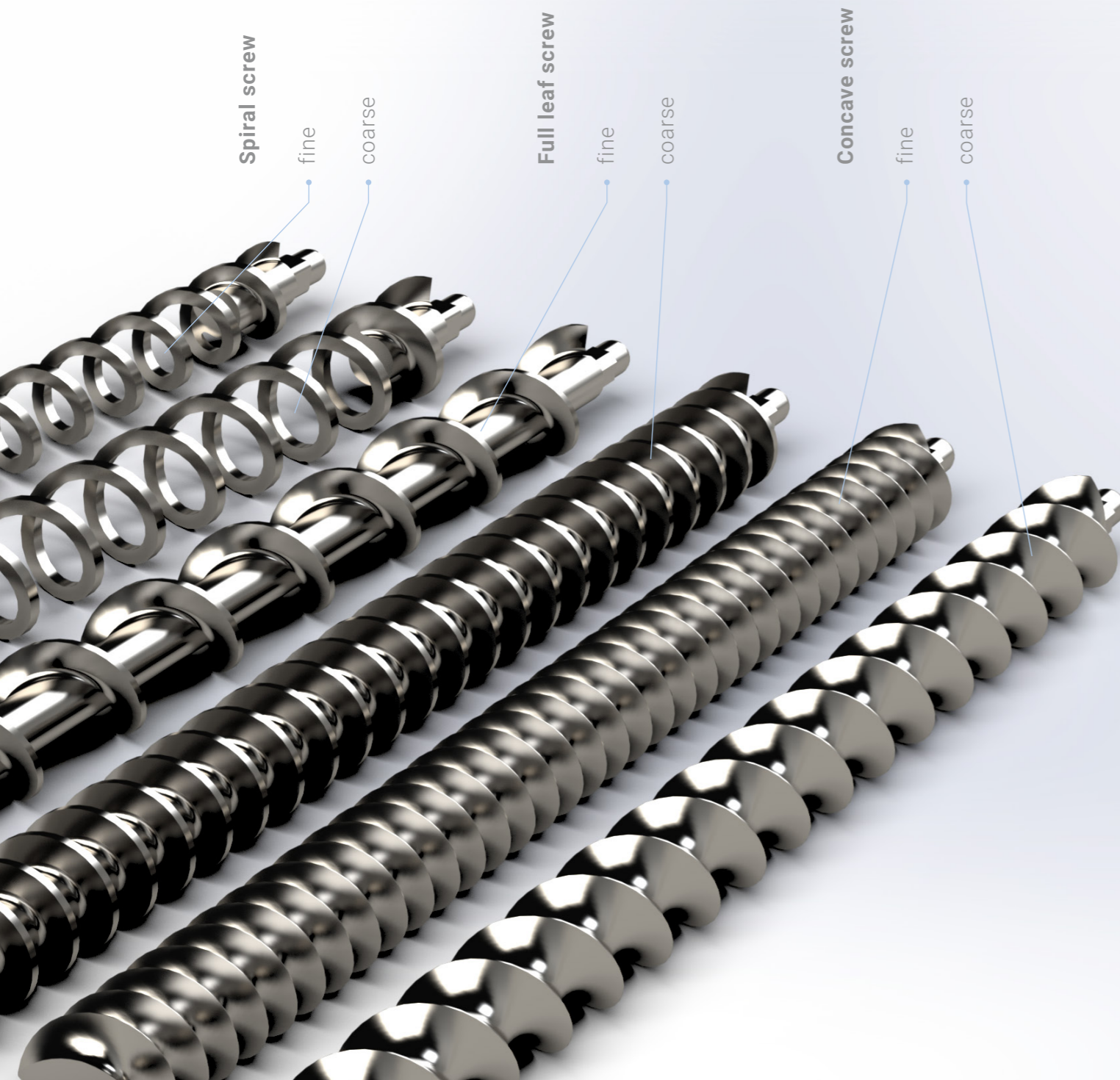
DISPOSITION



SCREW TYPES

Thanks to innovative servo technology and optimally graduated metering screws, a wide variety of powders such as ascorbic acid, vitamins, starch, dry gluten, egg powder, flavors and colorants can be metered reliably and gently. For fragile products, the spiral threads are suitable for transferring the product as

undamaged as possible into the subsequent process. Due to the simple disassembly of the dosing unit by means of a quick-release fastener, the screw can be changed quickly and cleanly in case of product change or new requirements.



MICRO FILLING



